

Instructions

Extend Card (Alarm out)

Before attempting to connect or install this product,
please read these instructions carefully and save this manual for future use.

Model No. WJ-PB85L32

Caution

Hold this board only by its edges. Otherwise components on the board may be damaged by static electricity.

■ Preface

The WJ-PB85L32 Alarm Output Board is an optional board for expanding the capabilities of the System 850 Matrix Switcher.

A received alarm signal, and a pulse generated in the Digital Output operation by the controller, are transmitted to the CPU (Central Processing Unit) via Ethernet to enable control of the alarm contacts on this board.

The board can also output the status of any alarm activated by the camera's motion detector, alarm acknowledgment and alarm reset.

■ Appearance

① Alarm Output Port (1 - 32)

This port supplies alarm output to the actuators connected to it through either Normally Open (N.O) or Normally Closed (N.C) contacts on this board.

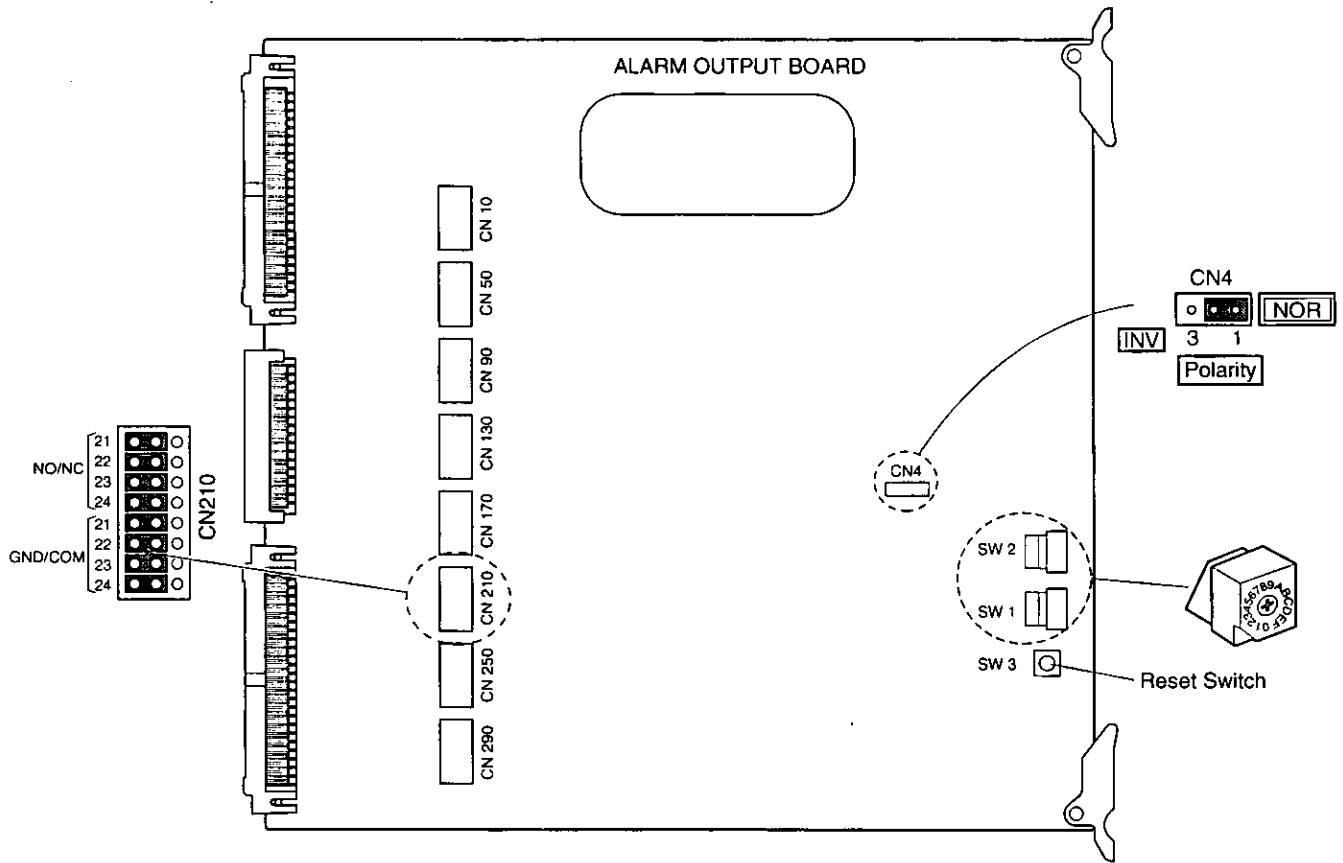


Pin No.	Designation	Pin No.	Designation
37	Ground	19	Alarm 19
36	Ground	18	Alarm 18
35	Not used	17	Alarm 17
34	Not used	16	Alarm 16
33	Not used	15	Alarm 15
32	Alarm 32	14	Alarm 14
31	Alarm 31	13	Alarm 13
30	Alarm 30	12	Alarm 12
29	Alarm 29	11	Alarm 11
28	Alarm 28	10	Alarm 10
27	Alarm 27	9	Alarm 9
26	Alarm 26	8	Alarm 8
25	Alarm 25	7	Alarm 7
24	Alarm 24	6	Alarm 6
23	Alarm 23	5	Alarm 5
22	Alarm 22	4	Alarm 4
21	Alarm 21	3	Alarm 3
20	Alarm 20	2	Alarm 2
		1	Alarm 1



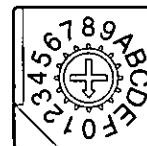
Board Setting

Before installing this board, the following settings should be made by qualified service personnel or system installers.

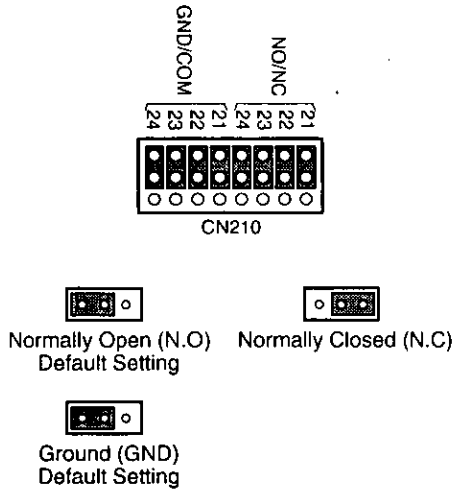


1. Set switches (SW1 and SW2) on the board to designate the Alarm Output board number as shown in the following table. The factory default setting is Board Number 1 (00).

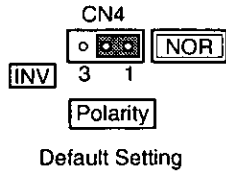
Board No.	Alarm Output	SW Positions	
		SW2	SW1
1	1 - 32	0	0
2	33 - 64	0	1
3	65 - 96	0	2
4	97 - 128	0	3
5	129 - 160	0	4
6	161 - 192	0	5
7	193 - 224	0	6
8	225 - 256	0	7
9	257 - 288	0	8
10	289 - 320	0	9
11	321 - 352	0	A
12	353 - 384	0	B
13	385 - 416	0	C
14	417 - 448	0	D
15	449 - 480	0	E
16	481 - 512	0	F



- Position jumper connectors (CN10, CN50, CN90, CN130, CN170, CN210, CN250, and CN290) on the board to meet the alarm output requirements. Select either Normally Open (N.O) or Normally Closed (N.C) for the contact output, and then confirm that the jumper connectors are positioned at Ground (GND) as shown below. The factory default settings are Normally Open (N.O).



- Confirm that the jumper connector (CN4) on the board is positioned on 1 and 2. This setting lets you select the output polarity.

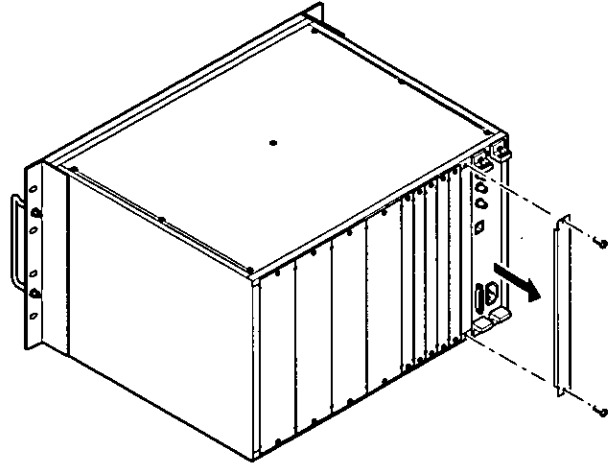


■ Installation

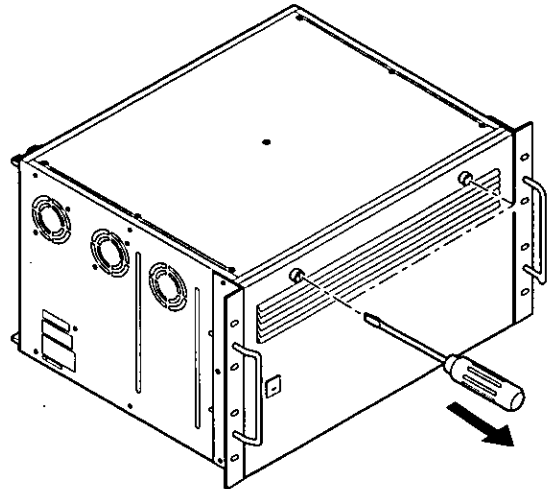
The following installation should be made by qualified service personnel or system installers.

● Installing Additional Extension Boards

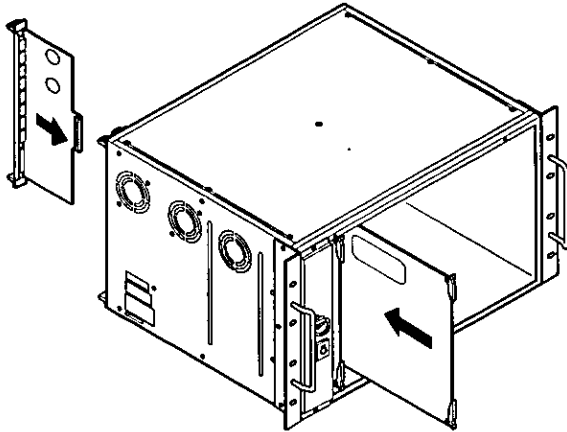
- Remove the screws from the rear panel(s) of the WJ-SX850 Matrix Switcher Card Cage.



- Remove the rear panel(s).
- Remove the front panel of the cage by removing the two screws on the panel shown below.

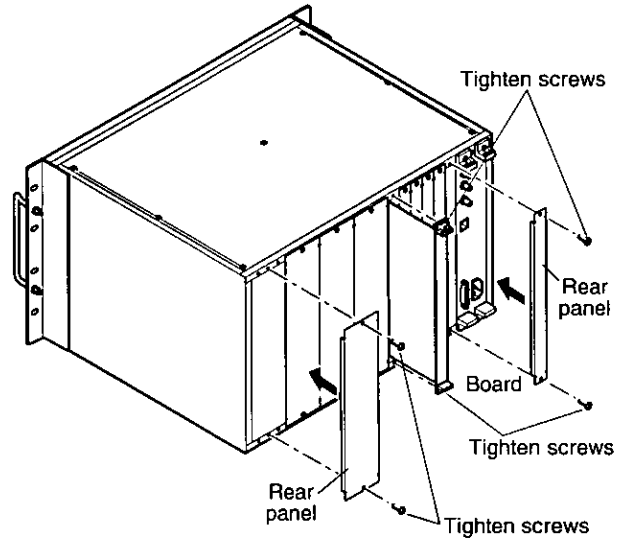


4. Place the Boards into the specified positions in the front or rear of the Cage by sliding them along the board guides as shown below.



5. Make sure to push in the Boards until they are seated firmly.

6. Secure the rear board by tightening the two screws on the board.



7. Close open spaces on the rear of the Cage with the supplied rear panel(s).

8. Close the front of the cage by fixing the front panel.

■ Specifications

Alarm Output (1 - 32):	24V DC 500 mA maximum Normally Open or Normally Closed selectable 37-pin D-sub connector
Dimensions:	Front Board; 255(W) x 250(H) x 12(D) mm 10-1/16"(W) x 9-13/16"(H) x 1/2"(D) Rear Board; 117.5(W) x 265(H) x 20(D) mm 4-5/8"(W) x 10-7/16"(H) x 13/16"(D)
Weight:	0.5 kg (1.1 lbs)

Weight and dimensions indicated are approximate.
Specifications are subject to change without notice.

Panasonic Security and Digital Imaging Company
A Division of Matsushita Electric Corporation of America
Executive Office: One Panasonic Way 3E-7, Secaucus, New Jersey 07094
Regional Offices:
 Northeast: One Panasonic Way, Secaucus, NJ 07094 (201) 348-7303
 Southern: 1225 Northbrook Parkway, Suite 1-160, Suwanee, GA 30024 (770) 338-6838
 Midwest: 1707 North Randall Road, Elgin, IL 60123 (847) 468-5211
 Western: 6550 Katella Ave., Cypress, CA 90630 (714) 373-7840

Panasonic Canada Inc.
 5770 Ambler Drive, Mississauga,
 Ontario, L4W 2T3 Canada (905)624-5010

Panasonic Sales Company
Division of Matsushita Electric of Puerto Rico Inc.
 Ave. 65 de Infanteria, Km. 9.5
 San Gabriel Industrial Park, Carolina,
 Puerto Rico 00985 (809)750-4300